

GE Grid Solutions

Model 126

Current Transformer Window Diameter 8.25"

Application

Metering.

Frequency

50-400 Hz.

Insulation Level

600 Volt, 10 kV BIL full wave.

Terminals are brass screws No. 10-32 with one flatwasher and lockwasher.

Order mounting bracket kit 0221B01529 separately.

Multi-ratios available upon request.

Approximate weight 5.5 lbs.



REGULATORY AGENCY APPROVALS



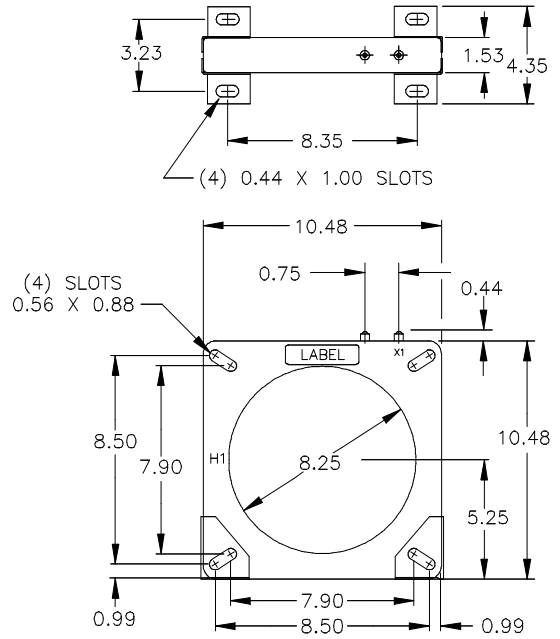
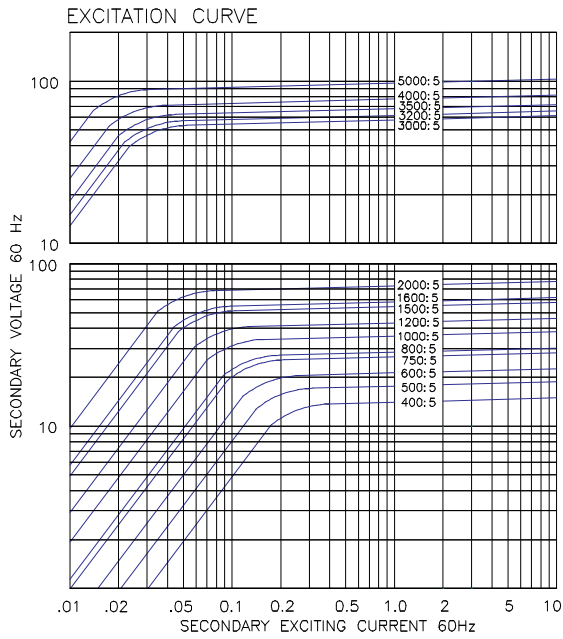
Manufactured to meet the requirements of ANSI/IEEE C57.13. Transformers comply with IEC 61689

Model 126

Catalog Number	Current Ratio	V.A. ± 1% Class	ANSI Metering Class at 60 Hz					Secondary Winding Resistance (Ω @ 75 °C)	Continuous Thermal Rating Factor	
			B0.1	B0.2	B0.5	B0.9	B1.8		@ 30 °C	@ 55 °C
126-401	400:5	4.0	0.6	1.2	2.4	4.8	4.8	0.116	2.0	2.0
126-501	500:5	7.5	0.6	0.6	1.2	2.4	2.4	0.145	2.0	2.0
126-601	600:5	10.0	0.6	0.6	1.2	1.2	2.4	0.173	2.0	2.0
126-751	750:5	15.0	0.3	0.6	0.6	1.2	1.2	0.217	2.0	1.5
126-801	800:5	20.0	0.3	0.3	0.6	0.6	1.2	0.231	2.0	1.5
126-102	1,000:5	25.0	0.3	0.3	0.6	0.6	1.2	0.289	2.0	1.5
126-122	1,200:5	40.0	0.3	0.3	0.3	0.6	0.6	0.347	1.5	1.33
126-152	1,500:5	50.0	0.3	0.3	0.3	0.3	0.6	0.434	1.5	1.0
126-162	1,600:5	50.0	0.3	0.3	0.3	0.3	0.6	0.462	1.5	1.0
126-202	2,000:5	60.0	0.3	0.3	0.3	0.3	0.3	0.578	1.33	1.0
126-252	2,500:5	75.0	0.3	0.3	0.3	0.3	0.3	0.904	1.0	0.8
126-302	3,000:5	90.0	0.3	0.3	0.3	0.3	0.3	0.722	1.33	1.0
126-322	3,200:5	95.0	0.3	0.3	0.3	0.3	0.3	0.770	1.33	1.0
126-352	3,500:5	100.0	0.3	0.3	0.3	0.3	0.3	0.842	1.0	0.8
126-402	4,000:5	125.0	0.3	0.3	0.3	0.3	0.3	0.962	1.0	0.8
126-502	5,000:5	140.0	0.3	0.3	0.3	0.3	0.3	1.203	1.0	0.8



Model 126



Grid-AIS-L4-ITL_Model_126-1242-2017_09-EN. © Copyright 2017. General Electric Company and Instrument Transformers LLC reserve the right to change specifications of described products at any time without notice and without obligation to notify any person of such changes.

